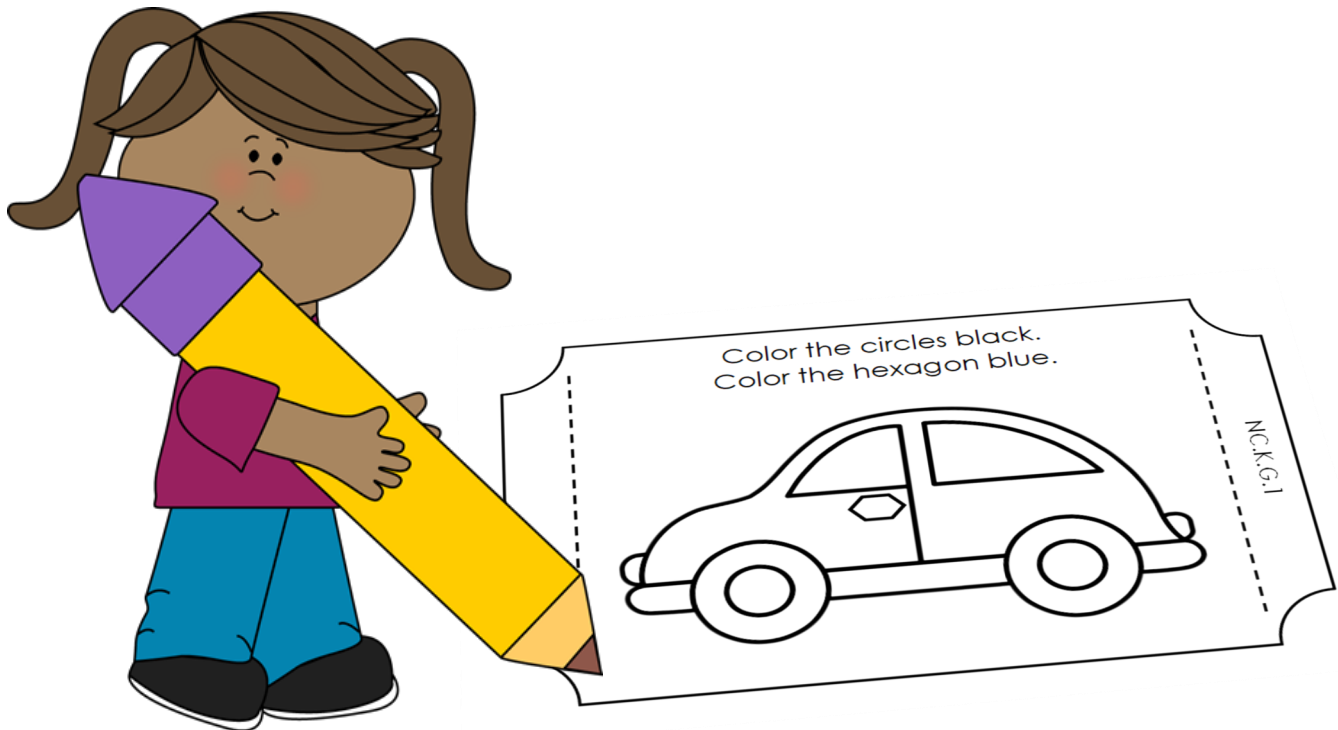


Kindergarten

Cluster 1 Exit Tickets



Standard NC.K.G.1

Exit tickets are written responses to questions posed at the end of a lesson. They are brief assessments which allow the teacher to determine student understanding of the concepts and skills taught that day.

At the Kindergarten level, a blank copy of the exit ticket should be displayed on the board and read aloud to students. As teacher reads, students work independently on their own copy of the exit ticket.

Kindergarten

Cluster 1 Exit Tickets

Table of Contents

*Topics are not necessarily listed
in the order in which they may be taught.*

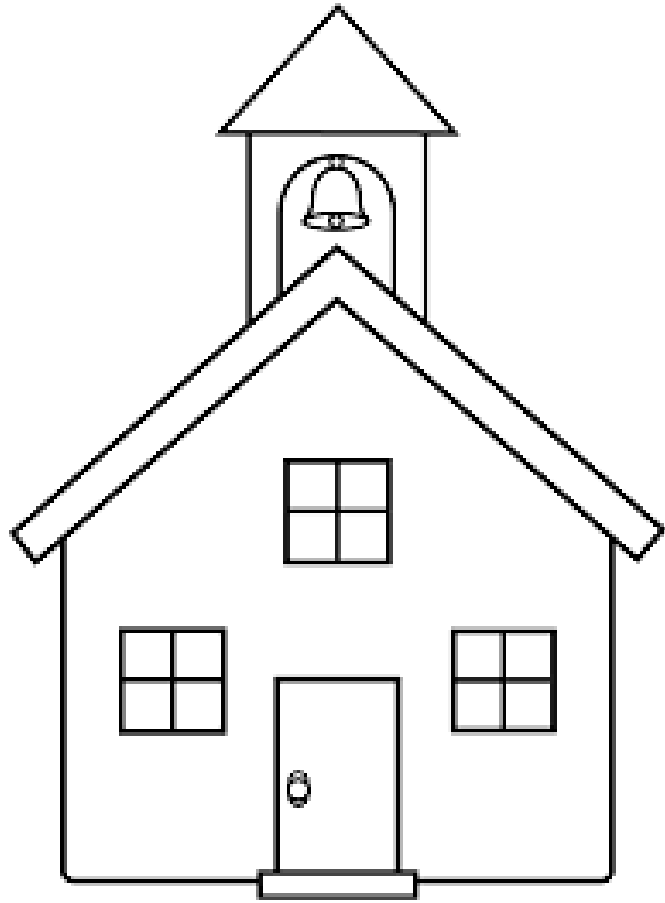
Topic	Page#
Identify two-dimensional shapes in the environment.	3
Identify two-dimensional shapes in the environment.	4
Identify two-dimensional shapes in the environment.	5
Draw three-dimensional shapes from the environment.	6
Recognize names of three-dimensional shapes, draw two-dimensional shapes, and recognize positional words.	7
Draw objects and recognize positional words.	8
Identify objects based on positional words.	9

Name: _____

Color the rectangles red.

Color the squares blue.

Color the triangle black.



NC.K.G.1

Name: _____

Color the rectangles red.

Color the squares blue.

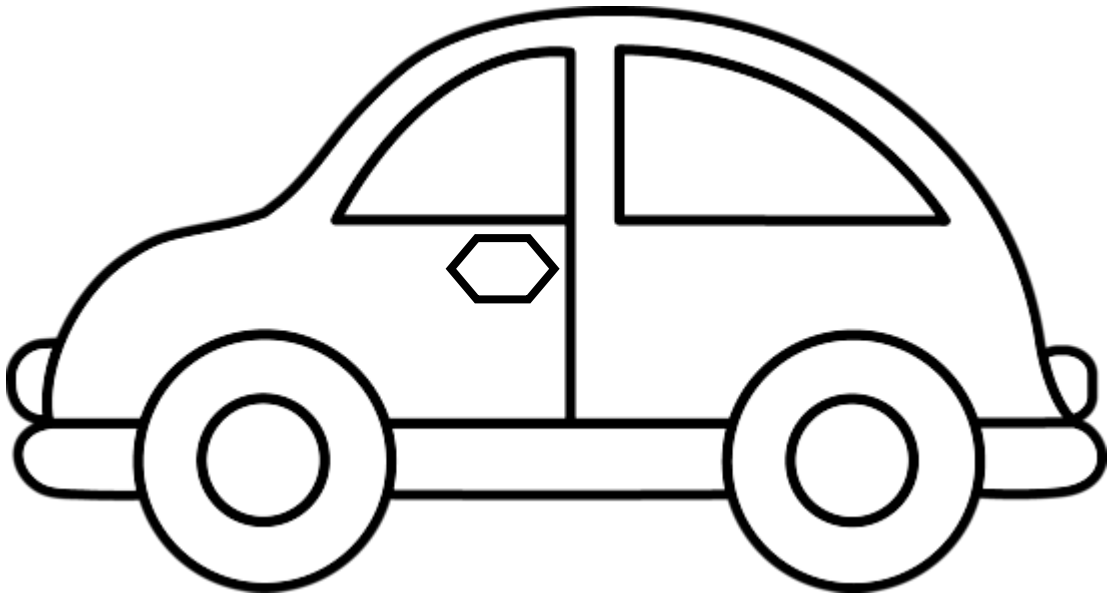
Color the triangle black.



NC.K.G.1

Color the circles black.
Color the hexagon blue.

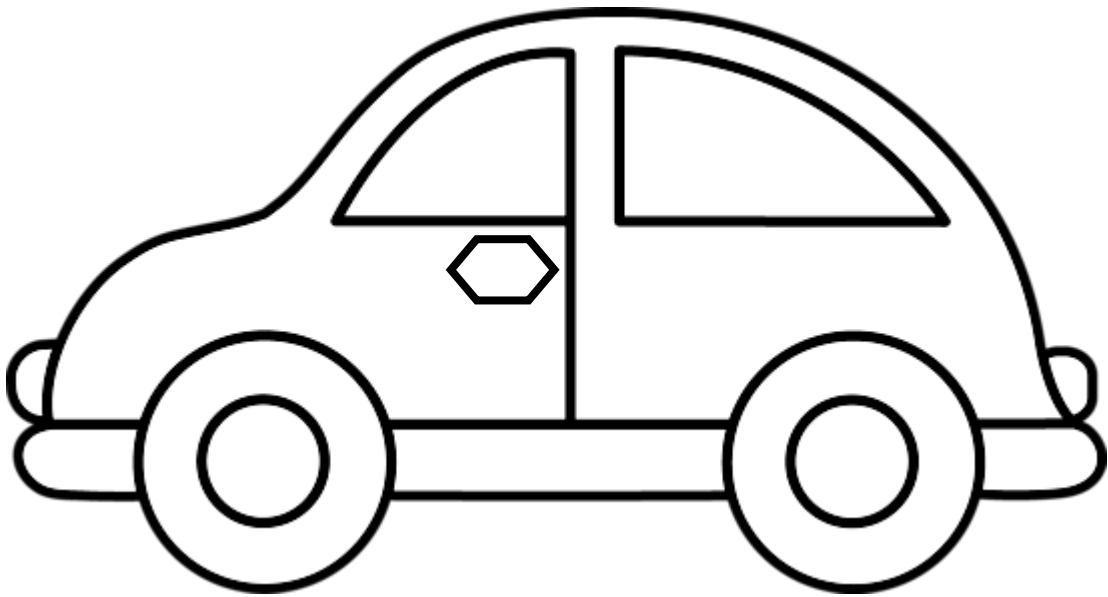
Name: _____



NC.K.G.1

Color the circles black.
Color the hexagon blue.

Name: _____



NC.K.G.1

Color some circles yellow.
Color some rectangles blue.

Name: _____



NC.K.G.1

Color some circles yellow.
Color some rectangles blue.

Name: _____



NC.K.G.1

Name:

Find an object that looks like a sphere.

Draw it here.

Find an object that looks like a cylinder.

Draw it here.

NC.K.G.1

Name:

Find an object that looks like a sphere.

Draw it here.

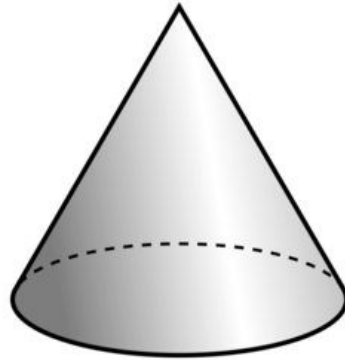
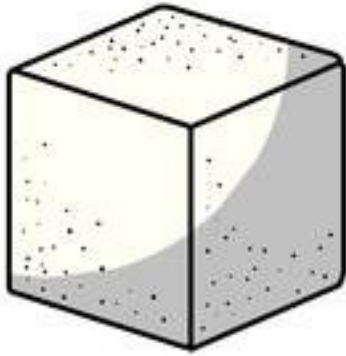
Find an object that looks like a cylinder.

Draw it here.

NC.K.G.1

Draw a circle above the cone.
Draw a triangle below the cube.

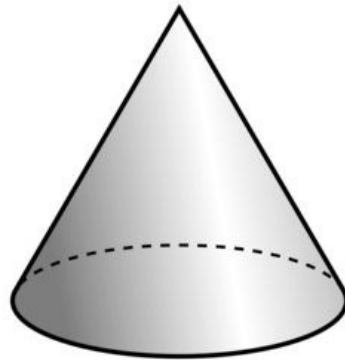
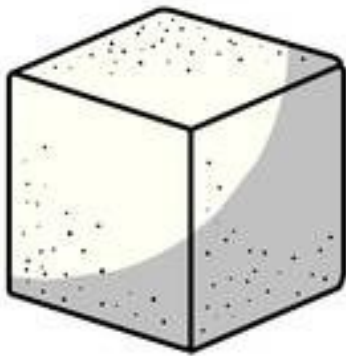
Name:



NC.K.G.1

Draw a circle above the cone.
Draw a triangle below the cube.

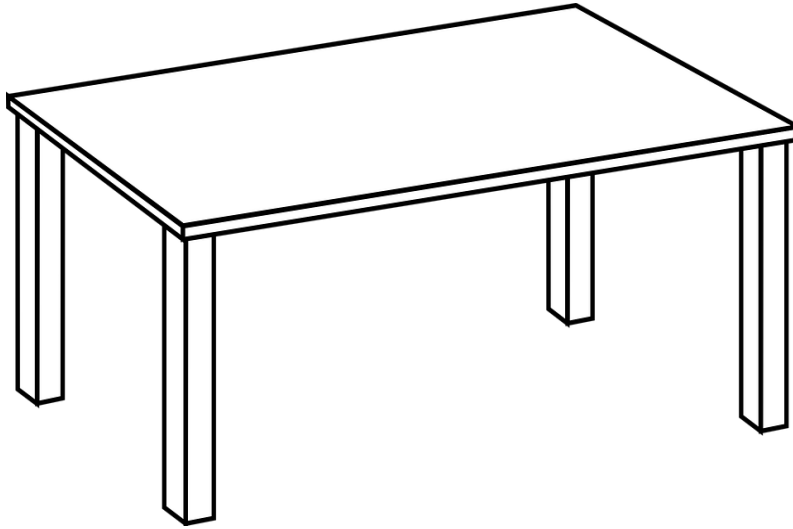
Name:



NC.K.G.1

Draw an apple next to the table.
Draw a cup on top of the table.

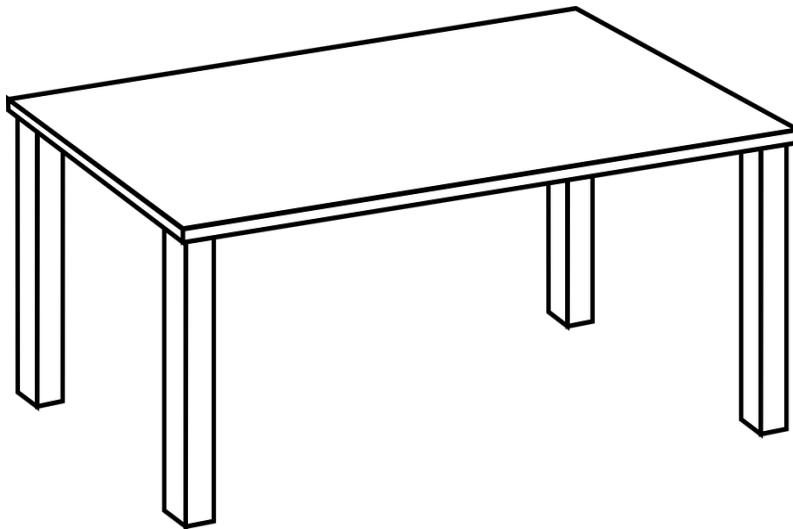
Name:



NC.K.G.1

Draw an apple next to the table.
Draw a cup on top of the table.

Name:



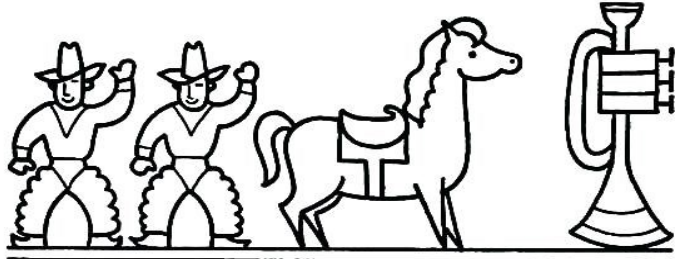
NC.K.G.1

Name: _____

Color the toy
next to the
horn red.



Color the toy
above the
horse blue.



Color the toy
under the
horse yellow.



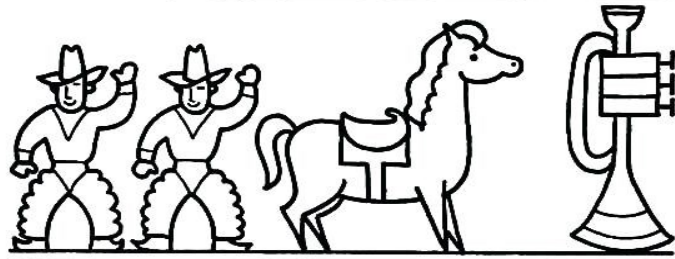
NC.K.G.1

Name: _____

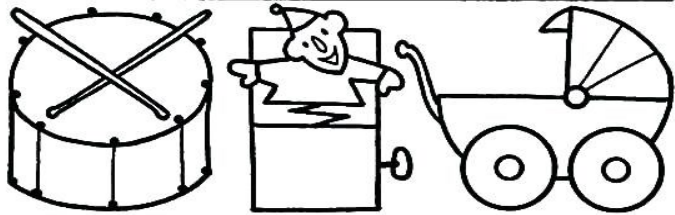
Color the toy
next to the
horn red.



Color the toy
above the
horse blue.



Color the toy
under the
horse yellow.



NC.K.G.1