

# Number Concentration

**Building Fluency:** base ten numerals, number names, and expanded form

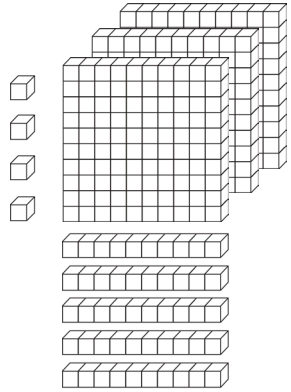
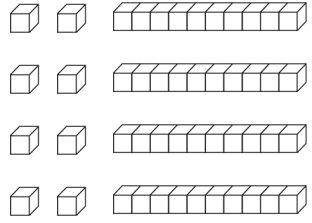
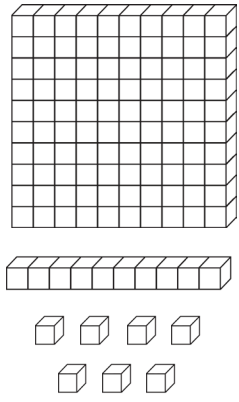
**Materials:** deck of memory cards

**Number of Players:** 2-4

**Directions:**

1. Place cards face down on the floor in an array.
2. Player 1 turns over two cards. If the cards are matches, the player removes them from the array and takes another turn. If the cards do not match, the player turns the cards over and the next player takes his turn.
3. The game continues until all matches have been made.
4. The winner is the player with the most matches at the end of the game.

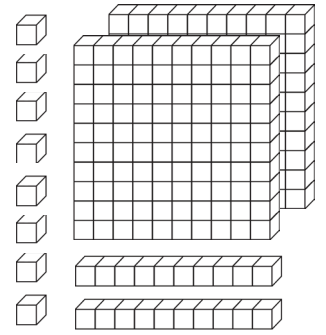
**Variation/Extension:** Choose which cards to use during the game instead of using all cards.

$300+50+4$	<h1>354</h1>	<p>Three hundred fifty-four</p>	
$40+8$	<h1>48</h1>	<p>Forty-eight</p>	
$100+10+7$	<h1>117</h1>	<p>One hundred seventeen</p>	

$200+20+8$

**228**

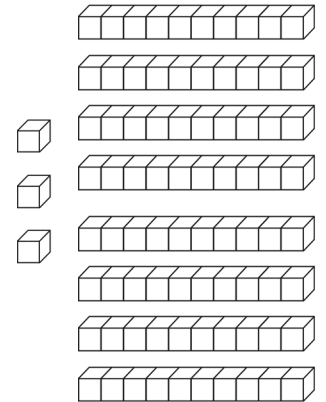
**Two hundred  
twenty-eight**



$80+3$

**83**

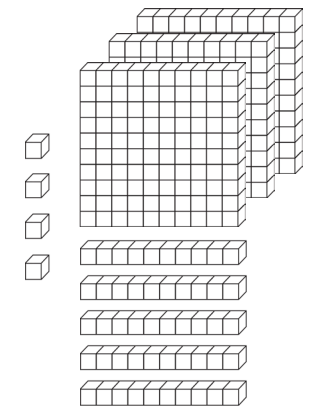
**Eighty-three**



$400+20+2$

**422**

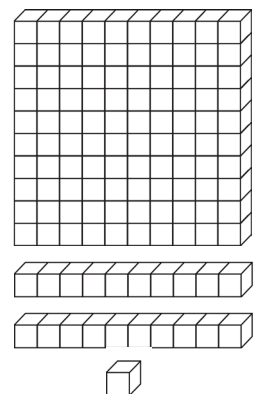
**Four hundred  
twenty-two**



$100+20+1$

**121**

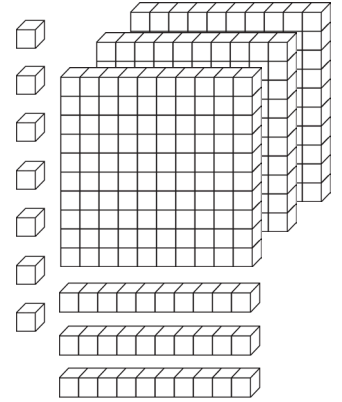
**One hundred  
twenty-one**



$300+30+7$

**337**

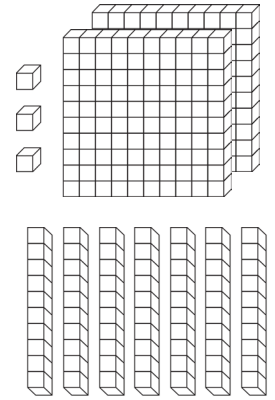
**Three  
hundred  
thirty-seven**



$200+70+3$

**273**

**Two hundred  
seventy-  
three**



$10+5$

**15**

**Fifteen**

